



VertEx - Modular Cross Draught



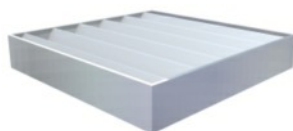
Body

2mm steel plate, fully welded and powder coated,



Filter monitoring

By differential pressure gauge



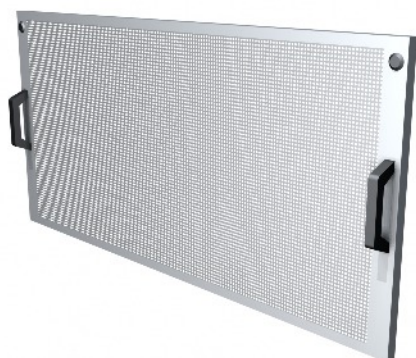
Filters

Selected to suit the application from the full AirBench range.



Energy Efficient Fan

Backward curved EC Fan
Highly efficient, intelligent fanset.



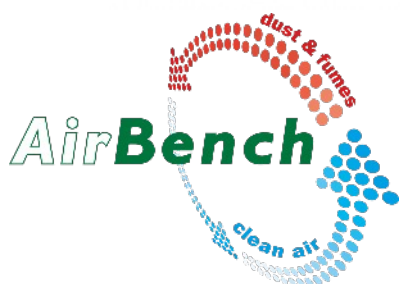
Ventilated Door

Steel door frame with perforated steel infill plate with 4mm dia perforations, powder coated. Lifts out in seconds for filter maintenance.



Controls

On/off switch or optional speed control wired to standard 13a plug for rapid installation.



+44 (0) 1206 791191

sales@airbench.com

www.airbench.com

14 Grange Farm Road, Colchester CO2 8JW

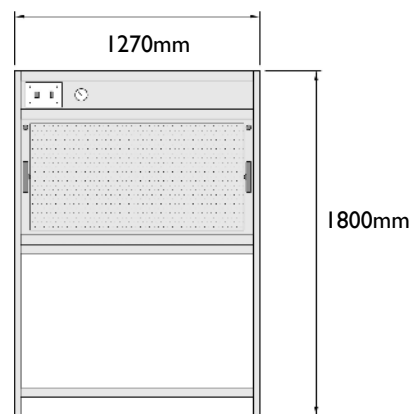




1800 Range

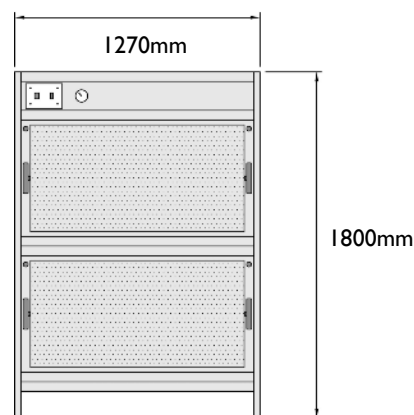
VAI20618

| | |
|-------------------------------|---|
| Fan Type | Backward Curved Centrifugal |
| Motor Type | Energy Efficient EC Motor |
| Fan Power | 400w |
| Airflow | 2000 m ³ /h - >1.0m/s at surface |
| Dimensions | 1270 x 1800 x 700 mm (wxhxd) |
| Actual Ventilated Area | 1200 x 600 mm (nom) |



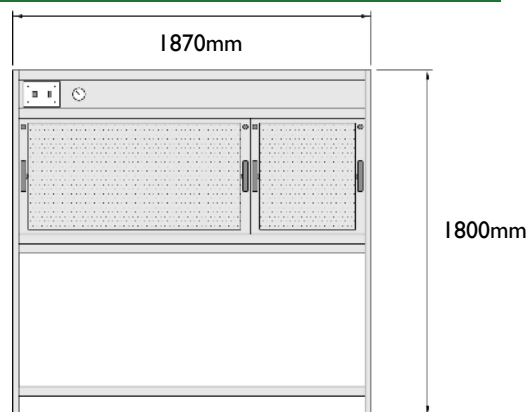
VAI21218

| | |
|-------------------------------|---|
| Fan Type | Backward Curved Centrifugal |
| Motor Type | Energy Efficient EC Motor |
| Fan Power | 750w |
| Airflow | 4000 m ³ /h - >1.0m/s at surface |
| Dimensions | 1270 x 1800 x 700 mm (wxhxd) |
| Actual Ventilated Area | 1200 x 1200 mm (nom) |



VAI80618

| | |
|-------------------------------|---|
| Fan Type | Backward Curved Centrifugal |
| Motor Type | Energy Efficient EC Motor |
| Fan Power | 870w |
| Airflow | 3000 m ³ /h - >1.0m/s at surface |
| Dimensions | 1270 x 1800 x 700 mm (wxhxd) |
| Actual Ventilated Area | 1800 x 600 mm (nom) |



Available Filter Configurations

- A: Dust
- H: Fine Dust
- F: Fine Dust - Two Stage
- B: Very Fine Dust
- L: HEPA Filtered
- S: Solder Fume
- C: Dust with some sparks

General

| | |
|---------------------|---|
| Power Supply | 240v, Single Phase |
| Finish | Textured grey powder coat - other finishes on request |
| Noise Levels | 68 dBA across range |

Specifications vary for some filter configurations - "A" configuration shown.

Dimensions nominal; specifications subject to change.

+44 (0) 1206 791191

sales@airbench.com

www.airbench.com

14 Grange Farm Road, Colchester CO2 8JW

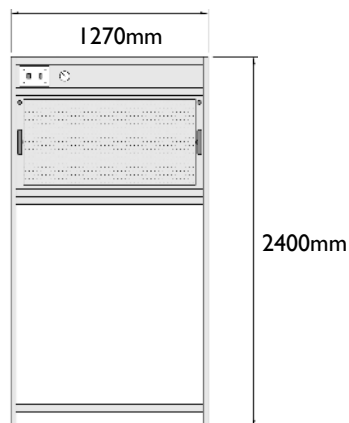




2400 Range

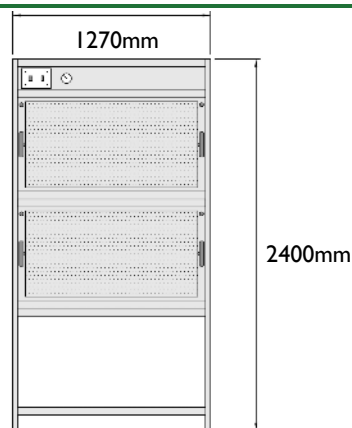
VAI20624

| | |
|-------------------------------|---|
| Fan Type | Backward Curved Centrifugal |
| Motor Type | Energy Efficient EC Motor |
| Fan Power | 400w |
| Airflow | 2000 m ³ /h - >1.0m/s at surface |
| Dimensions | 1270 x 2400 x 700 mm (wxhxd) |
| Actual Ventilated Area | 1200 x 600 mm (nom) |



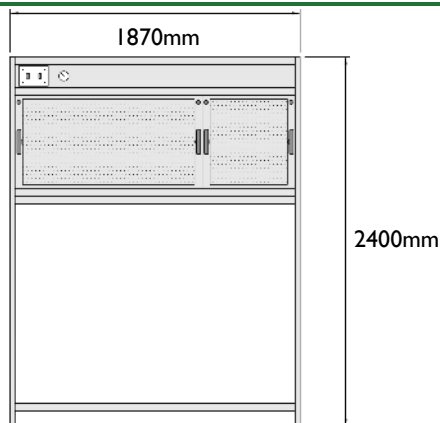
VAI21224

| | |
|-------------------------------|---|
| Fan Type | Backward Curved Centrifugal |
| Motor Type | Energy Efficient EC Motor |
| Fan Power | 750w |
| Airflow | 4000 m ³ /h - >1.0m/s at surface |
| Dimensions | 1270 x 2400 x 700 mm (wxhxd) |
| Actual Ventilated Area | 1200 x 1200 mm (nom) |



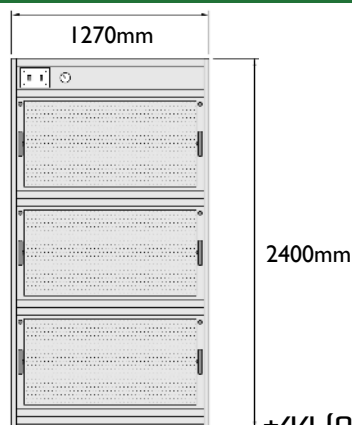
VAI80624

| | |
|-------------------------------|---|
| Fan Type | Backward Curved Centrifugal |
| Motor Type | Energy Efficient EC Motor |
| Fan Power | 870w |
| Airflow | 3000 m ³ /h - >1.0m/s at surface |
| Dimensions | 1270 x 2400 x 700 mm (wxhxd) |
| Actual Ventilated Area | 1800 x 600 mm (nom) |



VAI21824

| | |
|-------------------------------|---|
| Fan Type | 2 x Backward Curved Centrifugal |
| Motor Type | Energy Efficient EC Motor |
| Fan Power | 1740w |
| Airflow | 6000 m ³ /h - >1.0m/s at surface |
| Dimensions | 1270 x 2400 x 700 mm (wxhxd) |
| Actual Ventilated Area | 1200 x 1800 mm (nom) |



+44 (0) 1206 791191

sales@airbench.com

www.airbench.com





The VertEx Modular Solution



Modular Components - Each unit can be constructed in multiple configurations. Controls can be located at top, middle, or bottom, B8or omitted and the units controlled centrally. The extracted face can be located at any height required.



Short Lead Times - Modular components mean each VertEx can be constructed to your specification within 2-3 weeks of date of order - and most special configurations can be accommodated within these timescales.



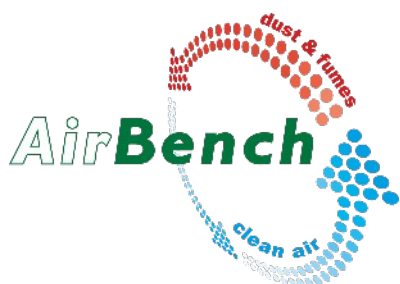
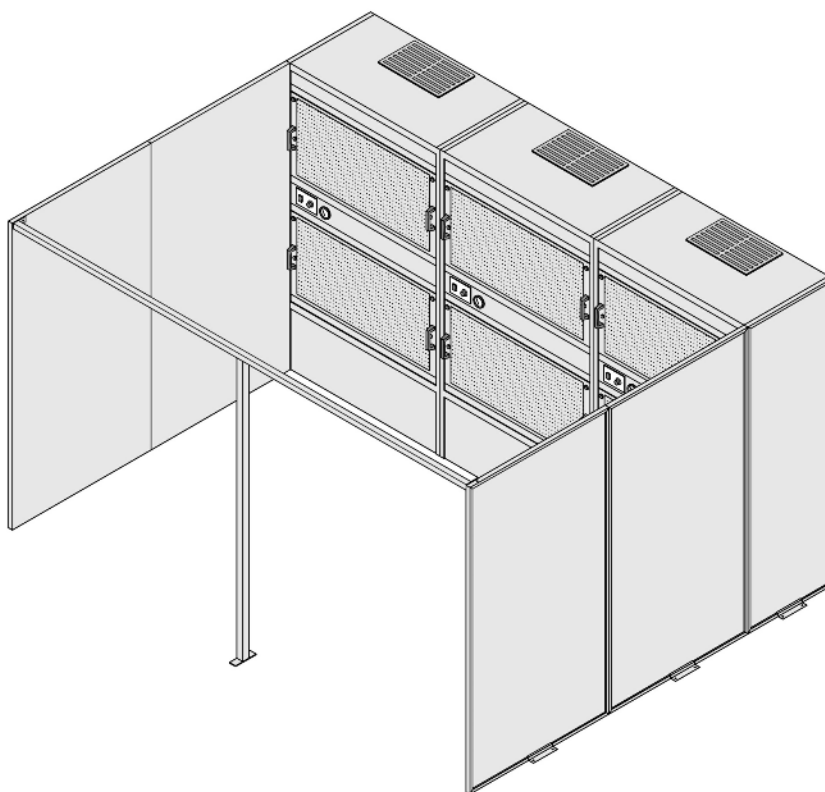
Minimal Wiring - Each VertEx runs from a standard single phase power supply. Installation can in many cases be as simple as plugging in and turning on.



Combine Units for a Complete Solution - Any number of VertEx units can be colocated to allow the rapid construction of a dust containment zone of any size required.



Enclosure Options - A range of fully modular enclosures are also available on a simple pricing structure to allow rapid construction of a full dust containment booth.



+44 (0) 1206 791191

sales@airbench.com

www.airbench.com

14 Grange Farm Road, Colchester CO2 8JW

