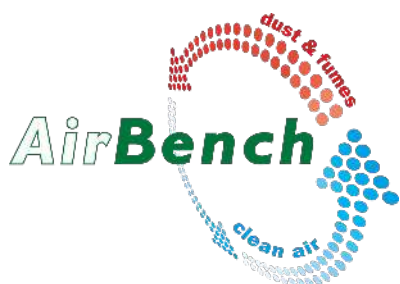
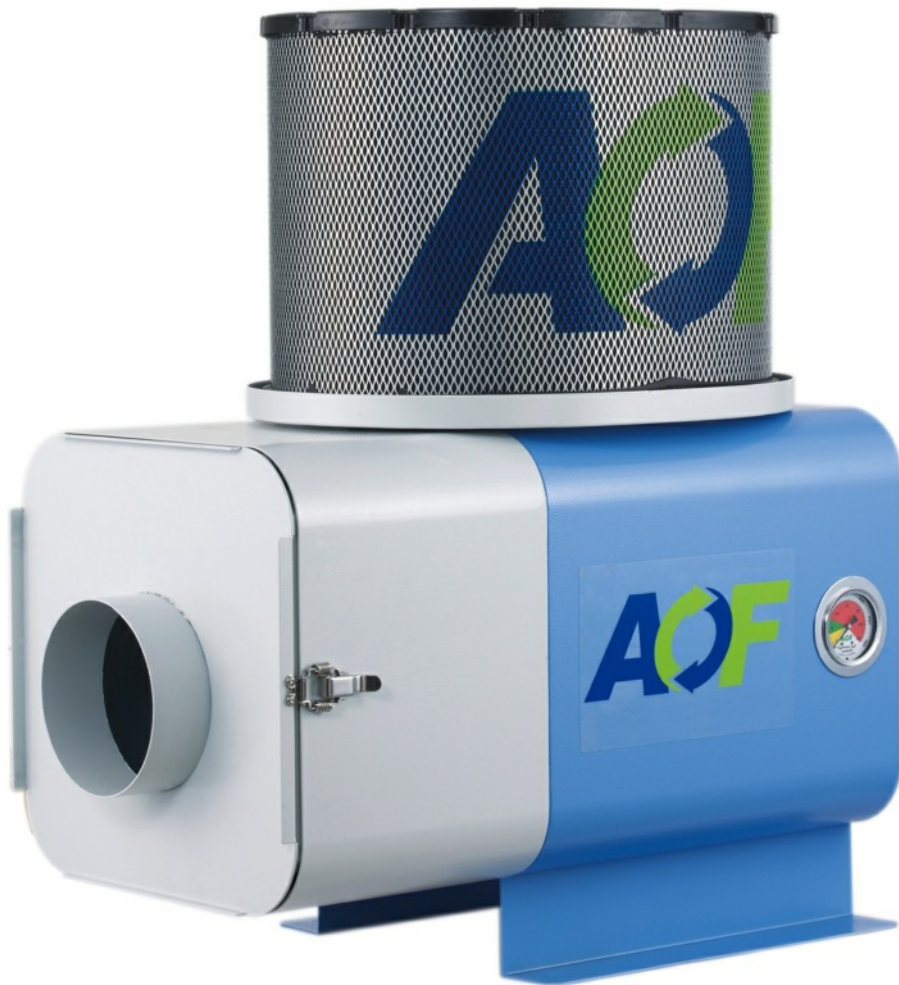




## AOF Range



+44 (0) 1206 791191

[sales@airbench.com](mailto:sales@airbench.com)

[www.airbench.com](http://www.airbench.com)

14 Grange Farm Road, Colchester CO2 8JW





## TECHNICAL SPEC

### HEPA cartridge

Designed to remove submicronic particulate with an efficiency of 99.9%

### Inlet Adaptor

Suitable for standard clipped ducting



### Fan

High power backward curve centrifugal fan.

### 8-blade Disk

Inlet disk creates rotational airflow which coalesces large particles into oil drops for recycling



### Pre-Filter

Innovative 70-degree construction uses wind shear to separate oil mist, smoke, and aerosols from the airstream.



Model	Power (Kw)	Airflow (m3/h)	Noise (DBA)	Weight (Kg)	Inlet Dia (Mm)	Machine Volume (M3)
AF10P	0.2	660	60	39	150	<4
AF20P	0.4	1140	66	42	150	<12
AF30P	0.75	1860	68	66	200	<18
AF40P	1.15	2340	70	78	250	<24

+44 (0) 1206 791191

sales@airbench.com

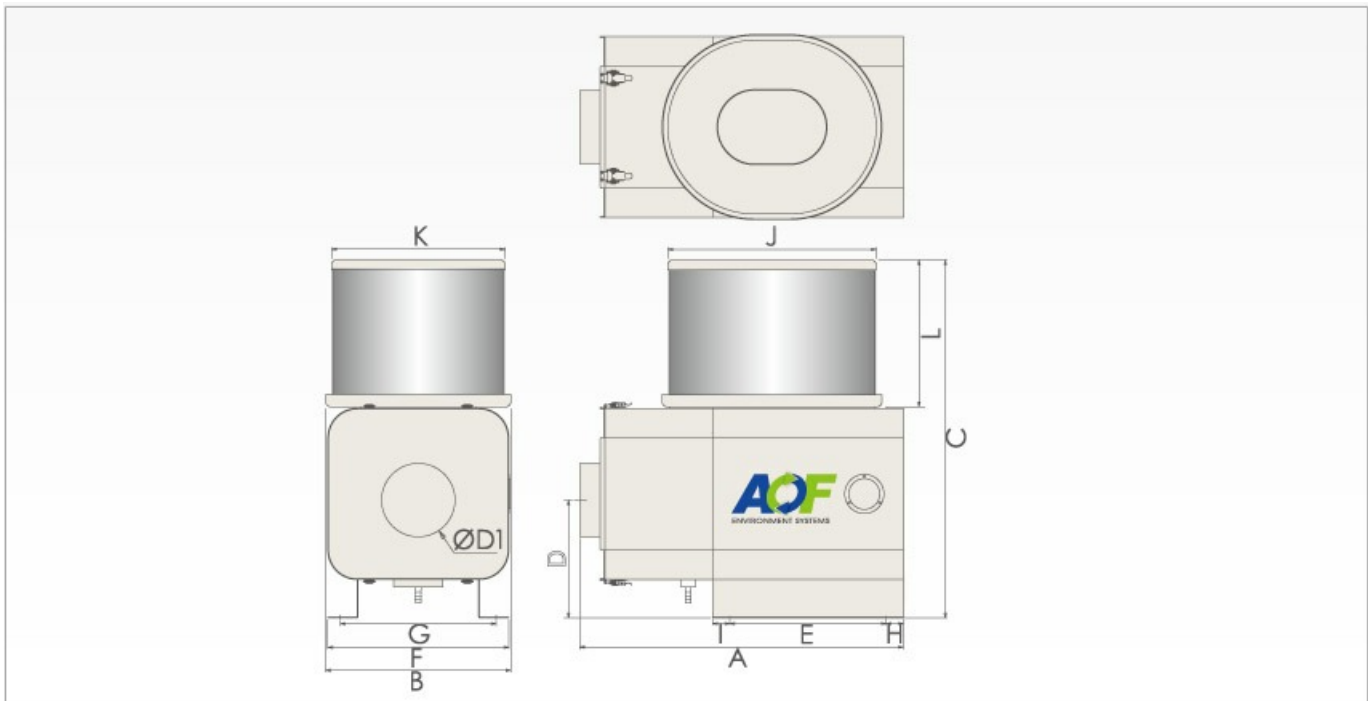
www.airbench.com

14 Grange Farm Road, Colchester CO2 8JW





## TECHNICAL SPEC



Model	A	B	C	D	DI	E	F	G	H	I	J	K	L
AF10P	603	379	723	231	148	300	335	283	25	25	426	355	313
AF20P	643	370	736	231	148	320	350	298	25	25	426	355	313
AF30P	765	432	808	290	200	388	420	368	25	25	492	408	313
AF40P	805	432	838	305	250	428	450	398	25	25	492	408	313

### Available Accessories

Adjustable Stand

Leak-proof clipped ducting

Electrical integration to machine tool

Alternative high capacity final filter

+44 (0) 1206 791191

sales@airbench.com

www.airbench.com

14 Grange Farm Road, Colchester CO2 8JW

