

MACHINE MOUNT COOLANT MIST FILTER



// FEATURES

- Self-contained coolant mist and oil smoke filter suitable for most machine tools.
- F9 or H13 HEPA outlet filtration
- Airflows up to 2400m³/h

// CONSTRUCTION

- Fully welded mild steel
- Powder coated

// APPLICATIONS

Designed for most coolant mist or oil smoke applications, with optional final filter specifications dependant on installation conditions.



DOWN
DRAUGHT

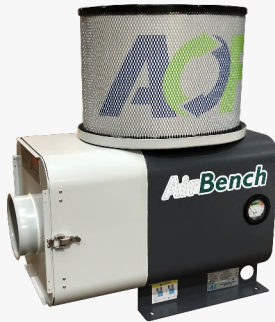


DUST
EXTRACTION



FUME
EXTRACTION

FEATURES

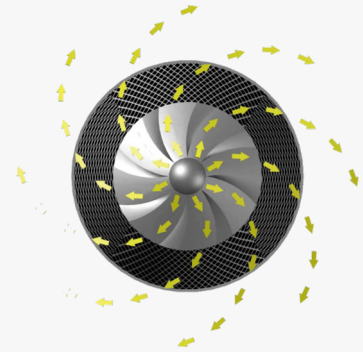


// THE COMPACT MIST FILTER FROM AIRBENCH

AOF machine mounted oil and coolant mist filter are effective for extraction from almost any machine tool with extraction rates up to 2400m³/h.

// UNIQUE CONICAL MESH FILTER

The conical main filter coalesces large particles on impact; then uses the wind shear principle to separate finer mist with further separation in the internal mesh layers.



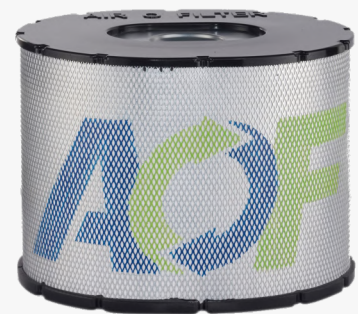
// PROTECTIVE PREFILTER

Disposable prefilter captures larger particles from aggressive cutting / grinding applications and extends the life of the main filter.

// HIGH EFFICIENCY FINAL FILTER

Multi-layer final filter captures fine particulates. 2 filter options available dependant on application with finer filtration available for oil smoke.

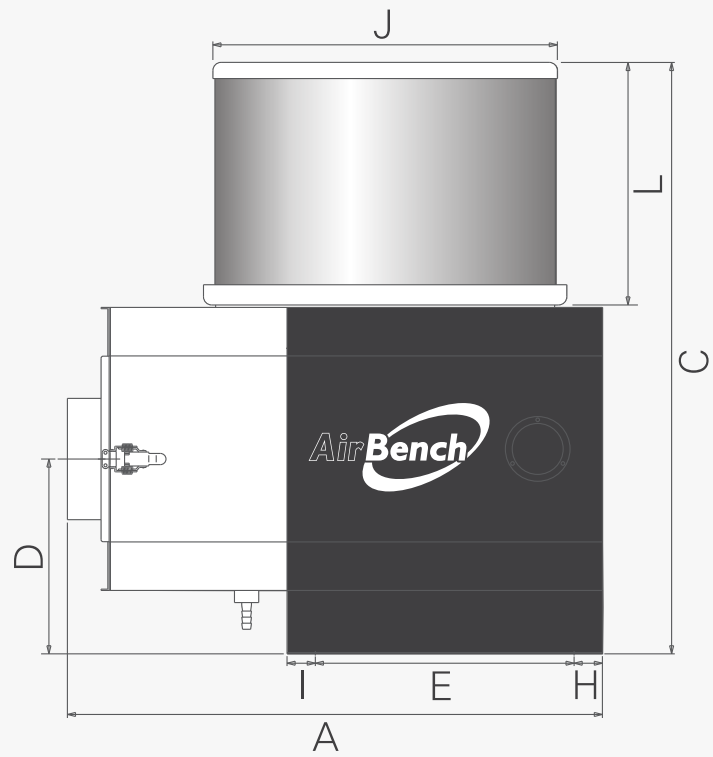
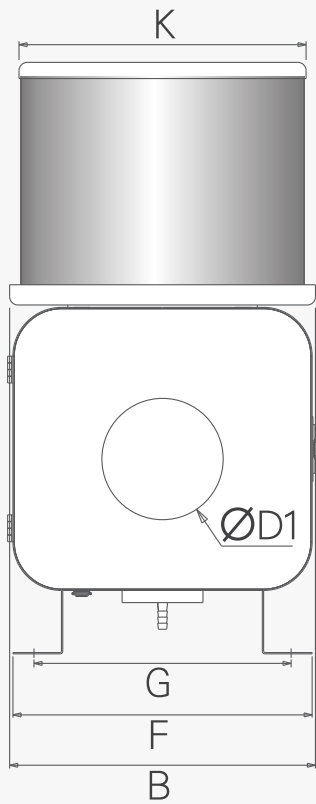
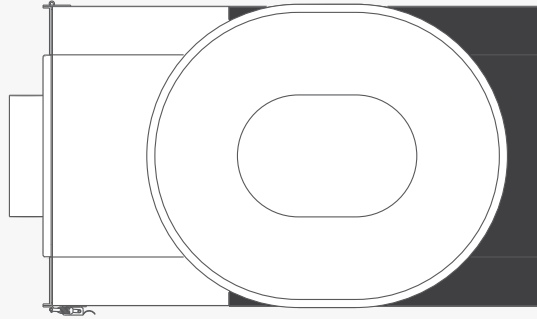
Final filter has a lifespan of up to 3600 hours.



// MULTIPLE INSTALLATION OPTIONS

Direct mount, right-angle bracket, or floor stand packs in stock with custom brackets available to order. Installation service or self-install; installation pack provided with every unit.

DIMENSIONS



// DIMENSIONS

MODEL	A	B	C	D	D1	E	F	G	H	I	J	K	L
AF-10	615	379	831	236	148	300	335	283	25	25	426	355	413
AF-20	652	379	851	234	148	320	350	298	25	25	426	355	413
AF-30	765	432	908	299	200	388	420	368	25	25	492	408	413
AF-40	792	490	1153	316	250	388	480	428	33.5	33.5	540	430	613

SPECIFICATIONS

// TECHNICAL DATA

MODEL	POWER kw	AIRFLOW m3/h	STATIC PRESSURE kPa	NOISE db(A)	WEIGHT Kg	INLET DIA mm
AF-10	0.2	660	0.65	65	42	150
AF-20	0.4	1080	0.88	69	47	150
AF-30	0.75	1740	1.15	70	65	200
AF-40	1.15	2400	1.45	71	80	250

// GENERAL

POWER SUPPLY	415 / 230v 3ph 50/60hz	MOTOR	Backward Curved Centrifugal Fan
EFFICIENCY	99-99.97%	FINISH (STD)	RAL7035/RAL724

// OPTIONS

S Filter for coolant mist	P Filter for oil smoke
Vertical Stand	Machine mount bracket
Installation	Ducting

AOF Systems are supplied complete with all parts required for a standard machine-mount mechanical installation. Additional brackets and/or electrical components may be required subject to survey. Contact us for advice.

// SEE ALSO

OMF Central Mist Filter System