



### // FEATURES

- Benchtoper system for fume capture
- 3 standard sizes
- Alternative carbon filtration options

### // CONSTRUCTION

- 1.2 and 2mm steel, fully welded
- Powder coated in RAL7035
- Stainless steel worksurface

### // APPLICATIONS

Designed for fume extraction applications where limited space is available and fumes cannot be exhausted to atmosphere.

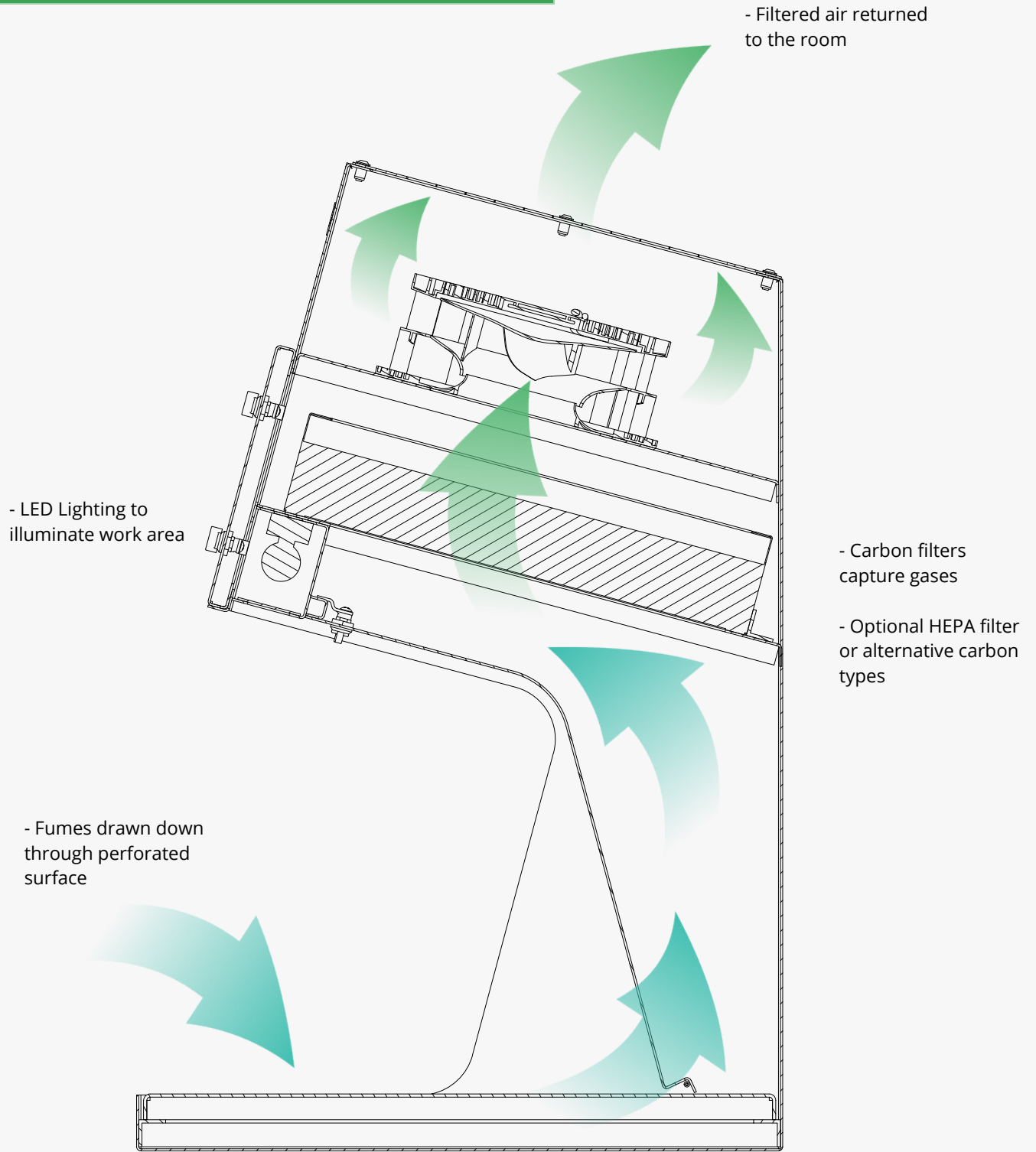


DOWN  
DRAUGHT



FUME  
EXTRACTION

## HOW DF WORKS



## FEATURES

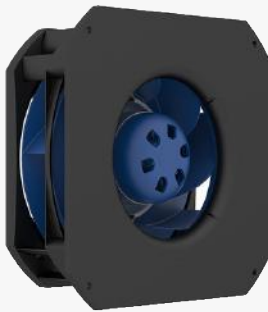


### // THE COMPACT FUME EXTRACTION SOLUTION

Fume extraction and filtration without external ducting or replacement of workbenches.

### // FILTER OPTIONS

Alternative carbon filtration options for difficult-to-capture fume.



### // ENERGY EFFICIENT FANS

Quiet, low energy fans providing effective fume capture with minimal background noise.

### // CONTROLS

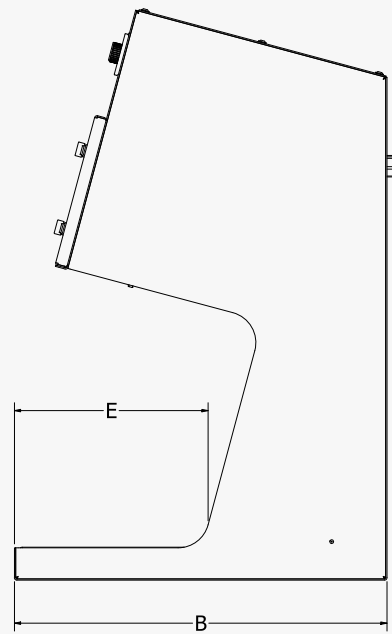
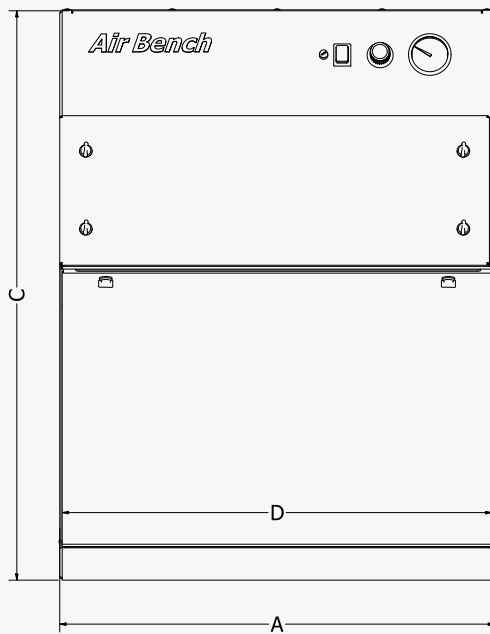
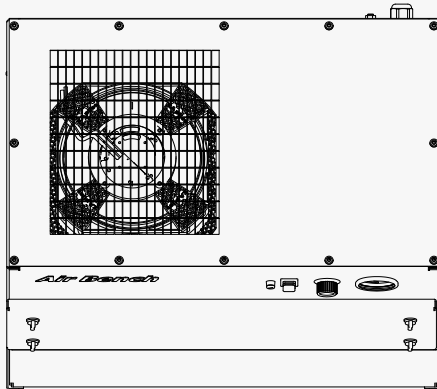
Speed controlled as standard with pressure gauge to indicate filter condition or blockage.



### // SURFACE IN T304 or T316 STAINLESS

The DF range is supplied with optional surface configurations dependant on the fume to be captured; T304 stainless steel as standard with T316 or epoxy powder coated mild steel as options.

## DIMENSIONS



## // TECHNICAL DATA

MODEL	OVERALL			VENTILATED AREA		POWER kw	VOLUME m3/h
	WIDTH A	DEPTH B	HEIGHT C	WIDTH D	DEPTH E		
DF07	700	600	917	690	300	0.17	400
DF13	1300	600	917	1290	300	0.34	800
DF19	1900	600	917	1890	300	0.51	1200

## SPECIFICATIONS

### // FILTER OPTIONS

208EA	Standard activated carbon
ACU-L2	Museum Grade - SO2/SOX/NO2
ACMO-L2	Formaldehyde
ACX-L-2	NO2, NOx, SO2, SOx, VOC, Diesel
ACSG-L-2	Acid Gases
ACA-L-2	Ammonia and Alkaline

### // GENERAL

<b>POWER SUPPLY</b>	240v/1ph	<b>MOTOR</b>	Backward Curved Centrifugal Fan with EC Motor
<b>NOISE LEVEL</b>	<60dBA at 1m	<b>FINISH (STD)</b>	White powder coat

### // SEE ALSO

Carbon Filter Effectiveness