



// FEATURES

- Integrated workbench with dust and fume extraction system.
- 5 standard sizes
- Wide range of filtration options

// CONSTRUCTION

- 2mm steel, fully welded
- Powder coated

// APPLICATIONS

Designed for dust and fume extraction applications; complete with integral filter system.

Typically for manual processes but can be integrated with other systems.



DOWN
DRAUGHT



DUST
EXTRACTION



FUME
EXTRACTION

FEATURES



// THE MOST POPULAR AIRBENCH MODEL

Our unique modular construction approach allows for rapid construction of every bench with fast delivery timescales, with some models available from stock.

// FILTER OPTIONS

A wide range of standard filter options allows us to specify the most appropriate configuration for every application.

We also offer a selection of alternative models for seated applications, or for welding and grinding type processes - see other publications for details.



// EASY FILTER ACCESS

Front access to filters and a simple spring-mount system allows for easy maintenance and fast filter changes.

// CONTROLS

Ranging from a simple on/off switch on a single unit, to timed run or centrally controlled, daisy chained systems for multiple installations.

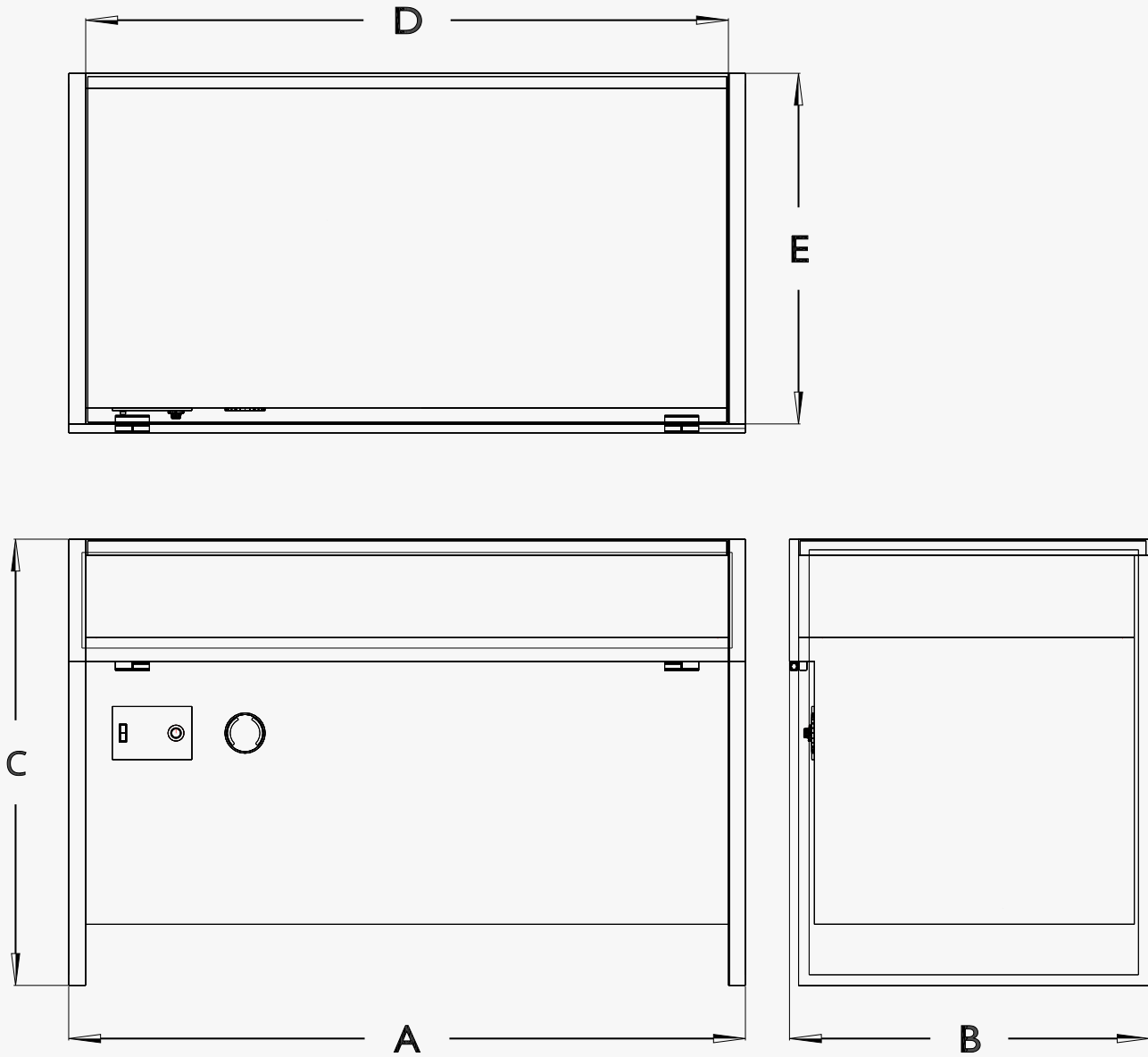
Speed control is available as a simple option. Every unit is fitted with filter condition monitoring via a pressure loss gauge.



// FULLY VENTILATED TOP

The FN range features a ventilated area of almost 100% of the top surface; meaning you can work anywhere on the bench and still have effective extraction.

DIMENSIONS

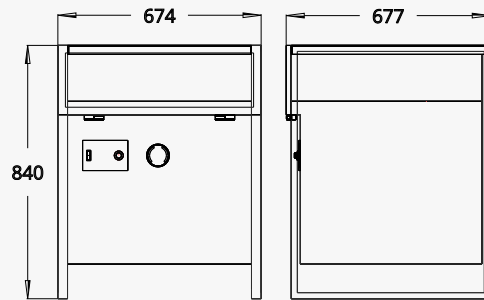


// TECHNICAL DATA

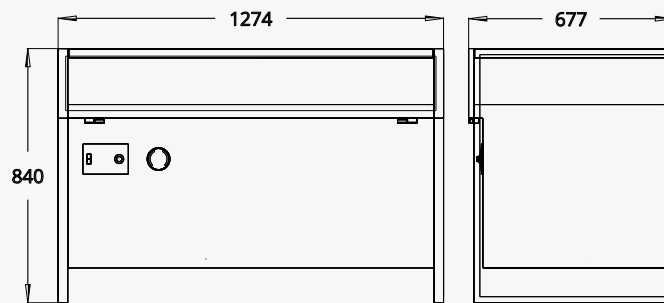
MODEL	OVERALL			VENTILATED AREA		POWER kw	VOLUME @100Pa
	WIDTH A	DEPTH B	HEIGHT C	WIDTH D	DEPTH E		
FN066784	674	677	840	610	656	0.17	1500
FN126784	1274	677	840	1210	656	0.37	3000
FN186784	1874	677	840	1810	656	0.57	4500
FN129784	1274	977	840	1210	956	0.57	4500
FN189784	1874	977	840	1810	956	1.14	6250

DIMENSIONS

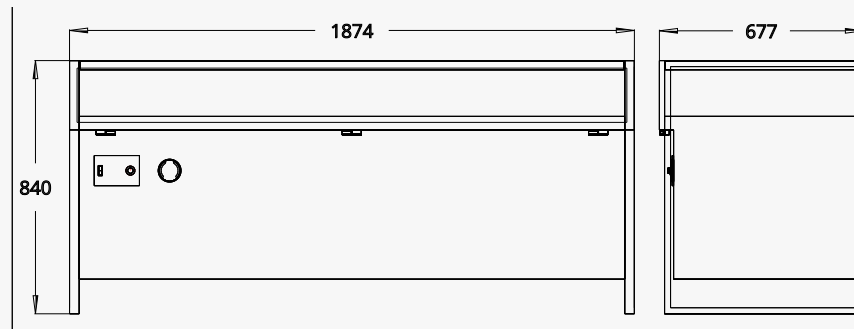
// FN066784



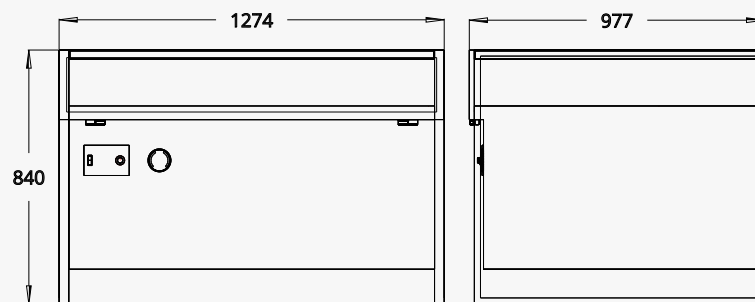
// FN126784



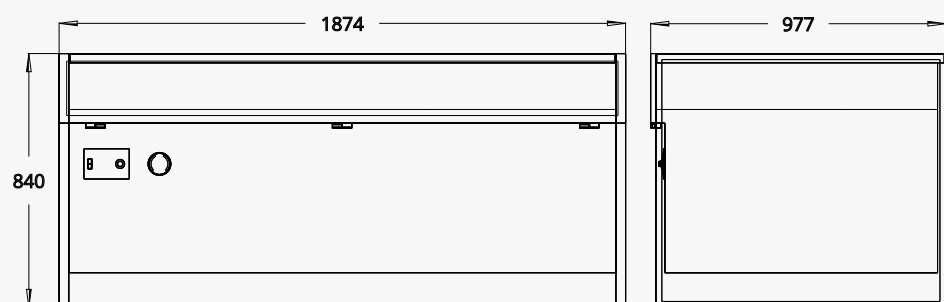
// FN186784



// FN129784



// FN189784



SPECIFICATIONS

// FILTER OPTIONS

FILTER CLASSIFICATION	FILTERS		FILTER CLASSIFICATION	FILTERS	
	PRE	FINAL		PRE	FINAL
A Non Sparking Dusts	-	G4	E Low Volume Fume	G4	Carbon
F Fine Dusts	G4	F7			
B Very Fine Dusts	G4	F9	C Dust & Light Sparks	Spark	M6
L HEPA Filtered	G4	H13			

// GENERAL

POWER SUPPLY	240v/1ph	MOTOR	Forward Curved Centrifugal Fan
NOISE LEVEL	<70dBA at 1m	FINISH (STD)	Textured grey powder coat

// OPTIONS

Speed control	Castors
Airline interlink	Enclosures
Timed run	Racking
Height adjustment	Alternative power supply (110v / 415v)
Special filter configurations	See airbench.com/accessories

// SEE ALSO

Carbon Filter Effectiveness

Accessories