

DOWNDRAUGHT BENCH WITH KNEESPACE



// FEATURES

- Integrated workbench with dust and fume extraction system.
- 5 standard sizes
- Wide range of filtration options

// CONSTRUCTION

- 2mm steel, fully welded
- Powder coated

// APPLICATIONS

Designed for dust and fume extraction applications; complete with integral filter system.

Typically for manual processes but can be integrated with other systems.



DOWN
DRAUGHT



DUST
EXTRACTION



FUME
EXTRACTION

FEATURES



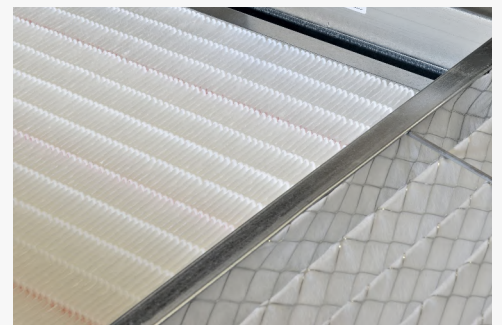
// THE AIRBENCH FOR SEATED WORK

AirBench FPK is a heavy duty downdraught bench designed specifically for continuous seated work.

// FILTER OPTIONS

A wide range of standard filter options allows us to specify the most appropriate configuration for every application.

Alternatively, we offer a selection of alternative models for seated applications, or for welding and grinding type processes - see other publications for details.



// EASY FILTER ACCESS

Simple access to filters via perforated top allows for easy maintenance and fast filter changes.

// CONTROLS

Ranging from a simple on/off switch on a single unit, to timed run or centrally controlled, daisy chained systems for multiple installations.

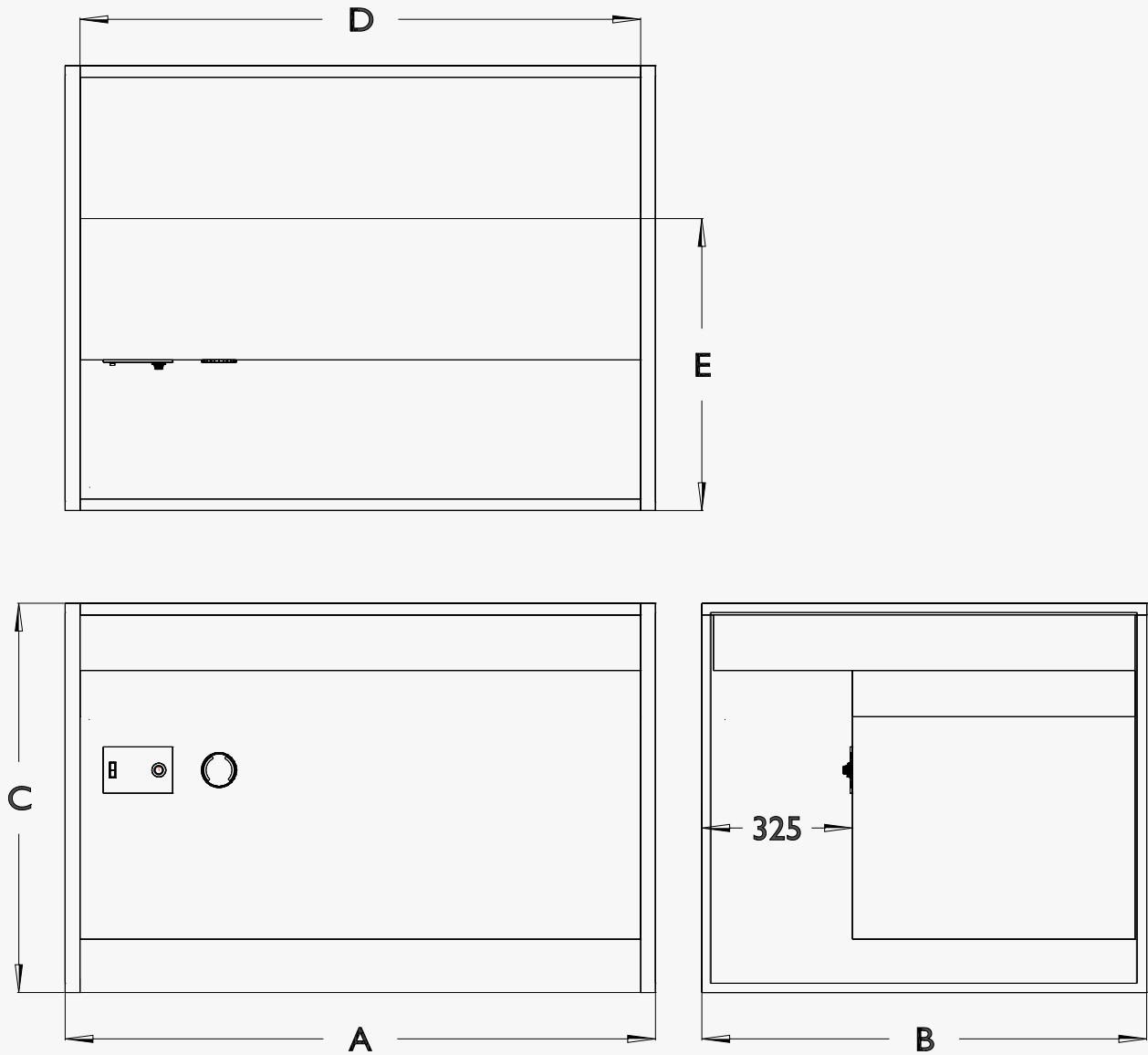
Speed control is available as a simple option. Every unit is fitted with filter condition monitoring via a pressure loss gauge.



// VENTILATED TOP

The FPK range features a ventilated area of 2/3 of the top surface; meaning you can work anywhere on the front region of the bench and still have effective extraction.

DIMENSIONS



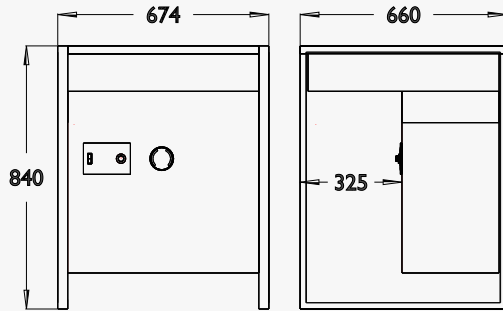
// TECHNICAL DATA

MODEL	OVERALL			VENTILATED AREA		POWER kw	VOLUME @100Pa
	WIDTH A	DEPTH B	HEIGHT C	WIDTH D	DEPTH E		
FPK066084	674	660	840	610	356	0.36	750
FPK126084	1274	660	840	1210	356	0.36	1500
FPK069084	674	960	840	610	656	0.17	1500
FPK129084	1274	960	840	1210	656	0.37	3000
FPK189084	1874	960	840	1810	656	0.57	4500

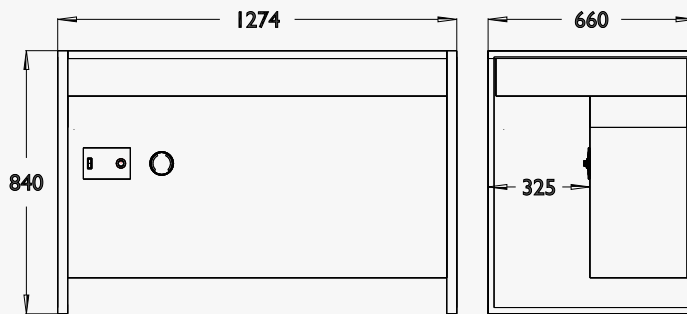
NB: Models with 'J' and 'R' type filtration are 960mm high

DIMENSIONS

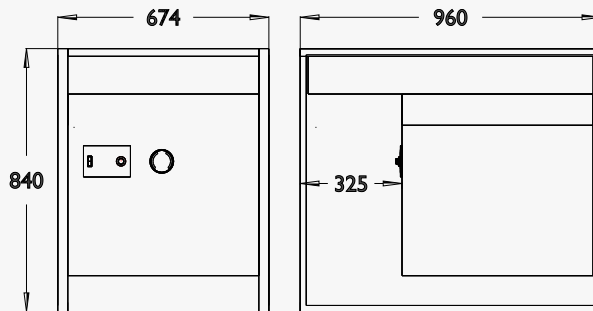
// FPK066084



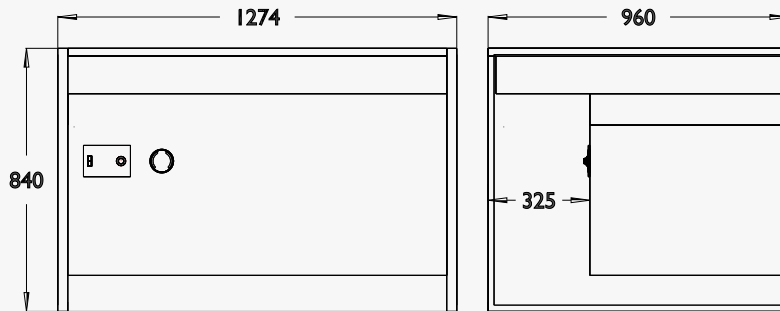
// FPK126084



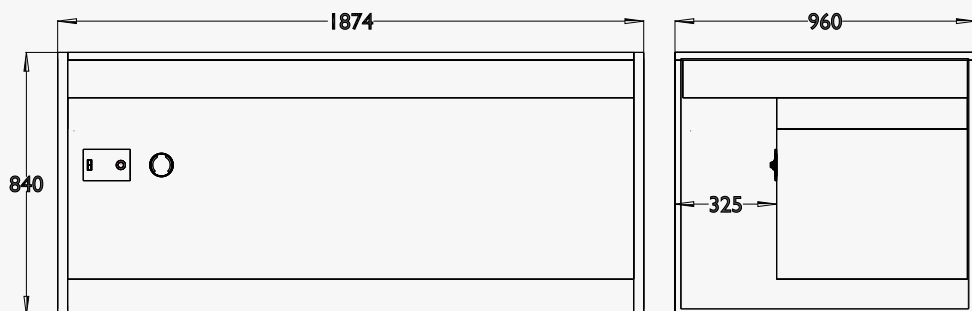
// FPK069084



// FPK129084



// FPK189084



SPECIFICATIONS

// FILTER OPTIONS

FILTER CLASSIFICATION	FILTERS		FILTER CLASSIFICATION	FILTERS	
	PRE	FINAL		PRE	FINAL
A Non Sparking Dusts	-	G4	E Low Volume Fume	G4	Carbon
F Fine Dusts	G4	F7	J High Volume Fume	G4	Carbon
B Very Fine Dusts	G4	F9	R Special Duty Fume	G4	Carbon
L HEPA Filtered	G4	H13	C Dust & Light Sparks	Spark	M6

// GENERAL

POWER SUPPLY	240v/1ph	MOTOR	Forward Curved Centrifugal Fan
NOISE LEVEL	<70dBA at 1m	FINISH (STD)	Textured grey powder coat

// OPTIONS

Speed control	Castors
Airline interlink	Enclosures
Timed run	Racking
Height adjustment	Alternative power supply (110v / 415v)
Special filter configurations	See airbench.com/accessories

// SEE ALSO

Carbon Filter Effectiveness

Accessories